

# 19PCSx40W LED ZOOM MOVING HEAD

## LED WASH 900

### Features

Light source: 19x40W RGBW LED  
 LED life expectancy: 20000 hours  
 Combining the Powerful shape Beam and dynamic Wash  
 Individual Pixel control  
 Variable CTO: 2500K - 8000K  
 Build-in color macro effect  
 Electronic zoom system  
 Zoom range: 10°~60°  
 Outstanding strobe effect with variable speed  
 0~100% smooth dimming  
 Fast moving in quiet  
 Maximum connected quantity:  
 3 sets (120V, 60Hz)  
 5 sets (230V, 50Hz)

### Control and Program

Protocols: DMX512, Master slave, Sound Active, RDM  
 DMX Protocol modes: 6  
 Control channels: 10,15,21,25,37,37+  
 Pan/Tilt Resolution: 16 bit  
 Dimmer: 16 bit  
 Software upgrade: Upgrade the firmware via DMX link

### PAN & TILT

Pan/Tilt movement: 540° / 270°  
 Correction: Automatic correction of X-axis/Y-axis position structure

### Construction

Display: LED 2.4G color screen + 4 touch buttons selection menu  
 Data in/out: 3-pin and 5-pin XLR  
 Power In/Out: Power Connector in/out  
 Protection Rating: IP20  
 Automatic Pan/Tilt position correction

### Electrical and Connectors

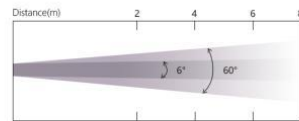
Power supply with electronic auto-ranging  
 Input voltage range: 100~240V~ 50/60Hz  
 Power consumption: 760 W  
 Master Box size: 490x350x620mm  
 Gross Weight: 19kg  
 Flycase 2 in 1: 750x440x700mm  
 Gross Weight: 65kg

### Included Items

User Manual  
 Power Cable  
 2x Fast-locked clamps



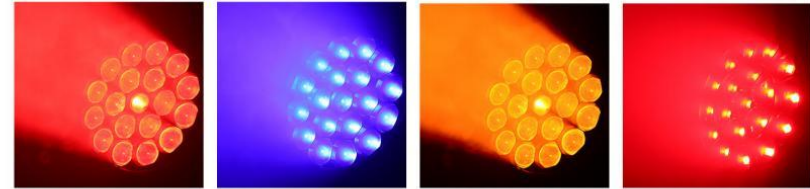
### Photometrics Diagram



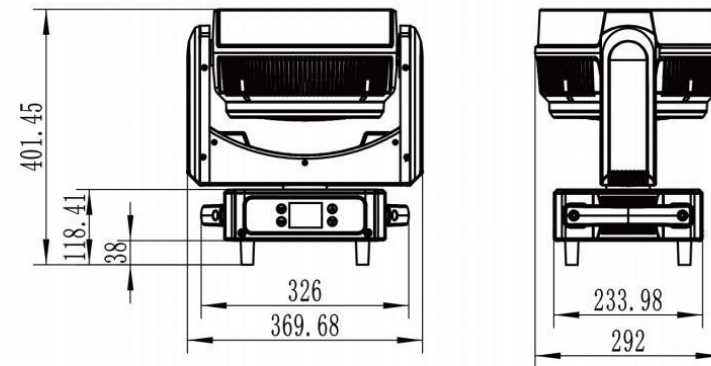
6° Lux	69800	40700	14200	12000
Diameter(m)	0.46	0.66	0.85	1.05
60° Lux	6850	1650	980	680
Diameter(m)	2.6	4.8	7.2	9.5



### Renderings



### Size mm(in)



### Multi-angle product diagram

