

37PCSx15W LED ZOOM MOVING HEAD

LED WASH 600

Features

Light source: 37x15W RGBW LED
 LED life expectancy: 20000 hours With powerful beam and wash effects
 Individual control of each LED rings Outstanding color macro effect
 Variable CTO: 2500K - 8000K Electronic linear zoom system
 Zoom range: 10°~60°
 Outstanding strobe effect with variable speed 0~100% smooth dimming
 Maximum connected quantity:
 3 sets (120V, 60Hz)
 5 sets (230V, 50Hz)

Control and Program

Protocols: DMX512, Master slave, Sound Active, RDM
 DMX Protocol modes: 5
 Control channels: 10,15,21,25,37,37+
 Pan/Tilt Resolution: 16 bit
 Dimmer: 16 bit
 Upgrade the firmware via DMX link

PAN & TILT

Pan/Tilt movement: 540° / 270°
 Automatic Pan/Tilt position correction

Construction

Display: LED 2.4G color screen + 4 touch buttons selection menu
 Data in/out: 3-pin and 5-pin XLR
 Power In/Out: Power Connector in/out
 Protection Rating: IP20
 Automatic Pan/Tilt position correction

Electrical and Connectors

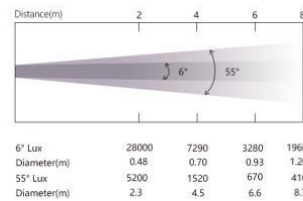
Power supply with electronic auto-ranging
 Input voltage range: 100~240V~ 50/60Hz
 Power consumption: 500 W
 Master Box size: 490x350x620mm
 Gross Weight: 19kg
 Flycase 2 in 1: 750x440x700mm
 Gross weight: 65kg

Included Items

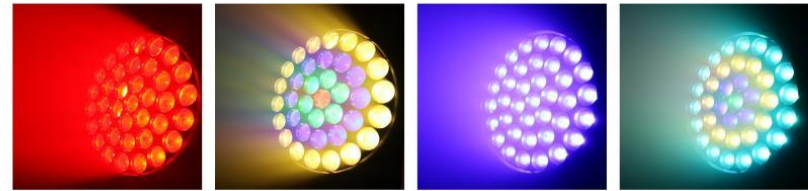
User Manual
 Power Cable
 2x Fast-locked clamps



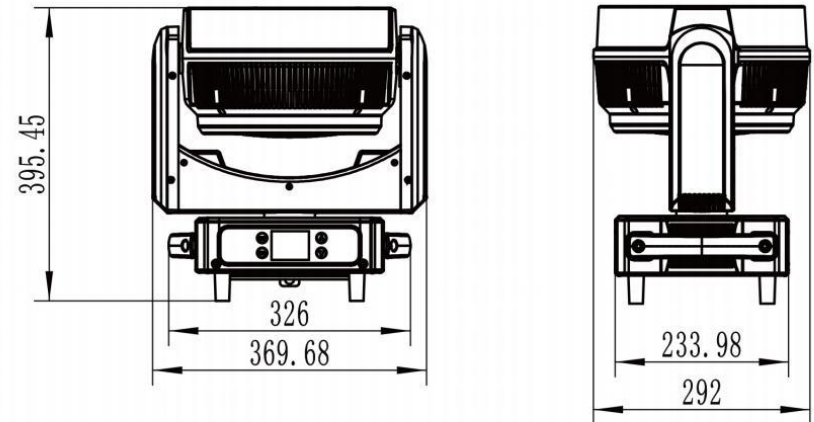
Photometrics Diagram



Renderings



Size mm(in)



Multi-angle product diagram

