

400W 3 in 1 LED Beam,Spot,Wash Moving Head with CMY & CTO

400BSW

Light Source

Light Source: 400W 8,000K LED Engine
 Color Temperature Output: 7,000K
 Rated Source Life: up to 20,000 hours*

Optical System

Advanced optical design to ensure precise gobos and colors
 High - efficiency zoom optical system
 Beam Angle: 6°-40°
 Diameter of Front Lens: 165mm

Control and Program

4-Button touch panel
 Display: LCD display
 Protocols: DMX512, Automatic, Sound active, RDM, Art-Net
 DMX Protocol modes: 1
 Control channels: 21
 Firmware Upgrade: Upgrade via DMX link or USB disk

Movement

Pan movement: 540°
 Tilt movement: 260°
 Automatic Pan/Tilt position correction
 Moving-head operated with either 16-bit resolution
 Fixation: Pan/ Tilt lock

Color

1 x Color Wheel: 8 complementary colors, 1 CTB Filter, plus open

Gobo

1 x Static Gobo Wheel: 1 static gobo wheel with 9 gobos plus open
 1 x Rotating & Interchangeable Gobo Wheel: 1 rotating gobo wheel with 6 gobos with water gobos plus open
 Gobo Diameter: 26.8mm Image Diameter: 14mm
 Adjustable-speed rotating gobo in both directions

Prism

2 x Combinable Rotating and Indexable Prisms: one 4-facet prism, one 6-facet linear prism

Other Effects

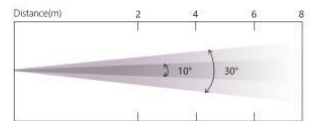
Outstanding strobe effect with variable speed
 Motorized Zoom and Focus
 4 Dimming Curves: Variable light adjustment from 0 to 100%

Electrical and Connectors

Input voltage range: 100-240V~ 50/60Hz
 Power consumption: 500 W
 Power In/Out: Power Connector in/out
 Data In/Out: 3-pin or 5-pin XLR
 Master Box size: 435x332x745mm
 Gross Weight: 23 kg (include carton, one-pack per carton)



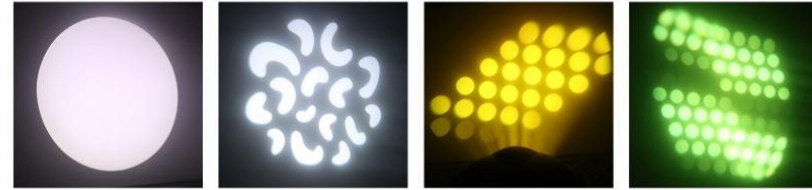
Photometrics Diagram



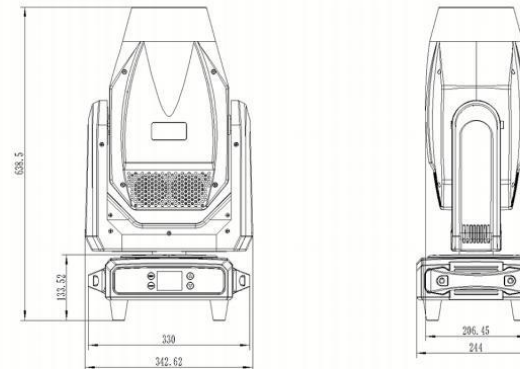
Distance(m)	10°	30°	over	113400	52100	23500
Diameter(m)	0.27	0.41	0.55	0.69		
30° Lux	36000	9200	4600	3260		
Diameter(m)	1.2	2.2	3.3	4.4		



Renderings



Size mm(in)



Functional Effect



Multi-angle product diagram

