

# 230W 3IN1 Beam,Spot,Wash LED Moving Head

## KA-230BSW

### Main Feature

KA-230BSW seamlessly integrates Light beam, dyeing and patterneffects. with mature and stable design of various performances. it has a variety of color discs, pattern discs, flexible straight-linemirrors and prisms supplemented by a variety of stroboscopic speeds, to create a gradient magic light effect.the beam angle can be switched at will according to different needs, combined with an independent fog environment to create different rendering effects.LED-230BSW integrates multiple functions and effects, making it an ideal choice for lamps in the entertainment market

### Sepcifications

Beam Angle:11° (on full open) 2°/4°/6°/8°/10° (with beam reducer) 3°/6°/9°/12°/15°/19°(with zoom lens)  
 Spot Angle: Fix Gobo: 10°~15° (with zoom lens)  
 Rotating Gobo: 10°~17° (with zoom lens)  
 Wash Angle: 15°~28°

### Control

DMX Channel: 17,20 channels  
 Control Mode: DMX,Master/Slave,Sound Active,RDM  
 Firmware Upgrade: Update via DMX link

### Pan/Tilt

Pan/Tilt: 540°/270°  
 X-axis/y-axis precision: 16 bit precision scanning,magnetic positioning system,Which can accurately and automatically correct the x-axis and y-axis positions  
 Display: LED color+4 buttons touch key  
 Power in/out: PowerCon in & out  
 Protection Rating: IP20

### Motorized focus

Color Wheel: 8 fixed colors plus whitw rainbow effect  
 Fixed Gobo Wheel: 1 static gobo wheel with 7 gobos plus open  
 Rotation gobo wheel: 1 rotaing gobo wheel with 6 gobos plus open  
 Prism: 3 facets prism rotating in both direction  
 Gobo' s outside diameter: 23.8mm Gobo' s image diameter: 20mm

### Otstanding color macro effect

0~100% smooth dimmingIndependent frost effectVarious strobe speedsIntegrated three features: beam,spot,and wash

### Electrical and Physical

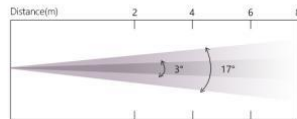
Input power: AC 100 ~240V, 50/60Hz  
 Power: 270W  
 Master Box size: 385x320x475mm  
 Gross Weight: 14kg  
 Flycase 2 in 1: 690x380x630mm  
 Gross Weight: 45kg  
 Flycase 4 in 1: 845x590x640mm

### Included Items

User Manual  
 Power Cable  
 1x Fast-locked clamps



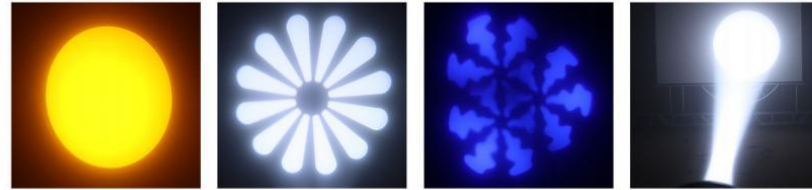
### Photometrics Diagram



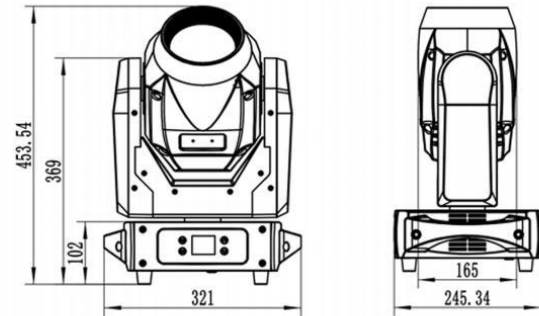
	2	4	6	8
3° Lux	33000	3900	2580	1360
Diameter(m)	0.21	0.31	0.41	0.52
17° Lux	12000	2700	1100	620
Diameter(m)	0.70	1.3	1.9	2.5



### Renderings



### Size mm(in)



### Functional Effect

#### Color Wheel



#### Static Gobo Wheel



#### Rotating Gobo Wheel



### Multi-angle product diagram

