

200W LED Beam Moving Head With Light Ring

200BEAM

Light Source

Light Source: 200W LED & 36pcsx0.5W RGB SMD LED
 Life expectancy: 6,000 hours

Optical System

Advanced optical system ensure clear, sharp image quality
 High-efficiency optical system
 Beam angle: 0-4°

Control & Program

4-button touch panel
 Display: Color display
 Protocols: DMX512, Sound Active, Automatic, Master/Slave, RDM
 DMX modes: 2
 Control channels: 17, 20 Channels
 Pan/Tilt resolution: 16-bit
 Firmware Upgrade via DMX link & USB

PAN & TILT

Pan movement: 540°
 Tilt movement: 270°
 Automatic Pan/Tilt position correction

Static Gobos

1x static gobo wheel with 15 gobos plus open

Color Wheel

1x color wheel with 14 colors plus white bidirectional rainbow effect

Prism

Equipped with 1 8-prism, 24 prism, and tower mirror, the 16 prism can rotate and overlap with the tower mirror or 8 prism in both directions, also have atomized Colorful Plate

Prism

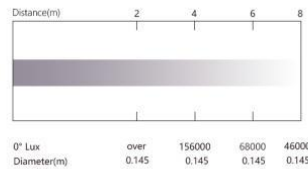
Equipped with 1 8-prism, 16 prism, and tower mirror, the 16 prism can rotate and overlap with the tower mirror or 8 prism in both directions

Electrical & Connectors

Power supply with electronic auto-ranging
 Input voltage range: 100-240V~ 50/60Hz
 Power consumption: 285W
 power connector in/out
 Data in/out: 3-pin or 5-pin XLR
 Master Box size: 405x370x562mm
 Gross Weight: 20kg



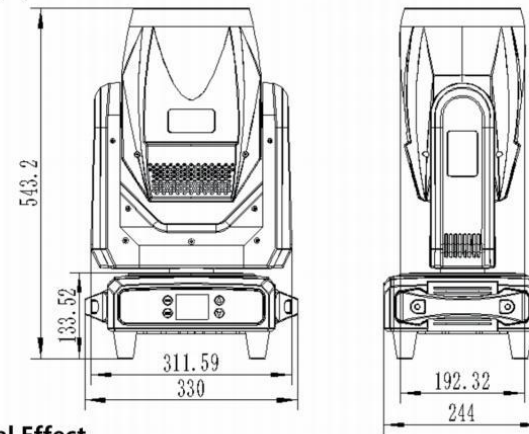
Photometrics Diagram



Renderings



Size mm(in)

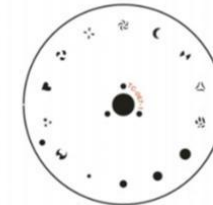


Functional Effect

Color Wheel



Static Gobo Wheel



Multi-angle product diagram

