

# 19PCSx40W LED B-Eye Moving Head

## B-Eye K15

### Light source

19 x 40W 4 in 1 RGBW LEDs  
 LED life expectancy: 50,000 hours  
 Color Temperature: 6000K

### Optical system

Advanced optical system to ensure clear and large-range beam & wash effect  
 High - efficiency zoom optical system, ratio 1:8  
 Beam angle: 4°-50°

### Control and Program

4-touch buttons  
 Display: Color Display  
 Protocols: DMX512, Sound Active, Automatic, RDM  
 DMX Protocol modes: 4  
 Control channels: 22, 36, 79, 98  
 Upgrade the firmware via DMX/USB link  
 Pan/Tilt Resolution: 16 bit  
 Dimmer: 16 bit

### PAN & TILT

Pan movement: 540°  
 Tilt movement: 220°  
 Automatic Pan/Tilt position correction

### Effects section

P3 operation modes: wash, beam, FX (Kaleido effects) Bi-directional Rotating Front Lens Digital Wash-Beam Framing effect Beam edge softening control (in wash mode) Pixel Patterning Macros with enhanced control 0-100% linear electronic dimmer Adjustable speed stop/strobe effect with instantaneous blackout Dedicated channel for color temperature setting White CT Emulation 2500-8000K  
 Slow strobe: 1 flash/sec; Fast strobe: 25 flash/sec

### Electrical and Connectors

Power supply with electronic auto-ranging  
 Input voltage range: 100-240V ~ 50/60Hz  
 Power consumption: 760 W  
 Power In/Out: Power Connector in/out  
 Data in/out: 3-pin or 5-pin XLR

### Fixture Specification

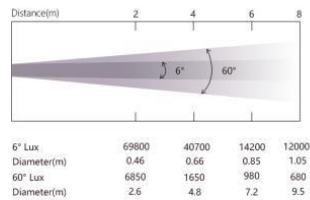
Master Box size: 490x350x620mm  
 Gross Weight: 19kg  
 Flycase 2 in 1: 750x440x700mm  
 Gross Weight: 65kg  
 Flycase 4 in 1: 750x880x700mm

### Included items

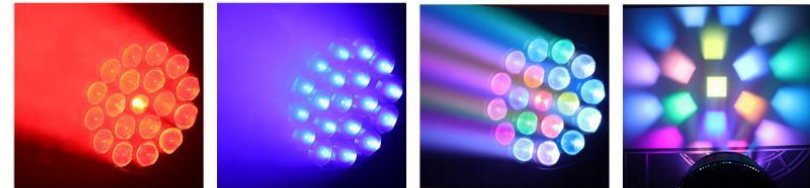
Digital User Manual  
 Power Cable  
 2 x omega brackets (optional with 2 x foldable fixed clamps)



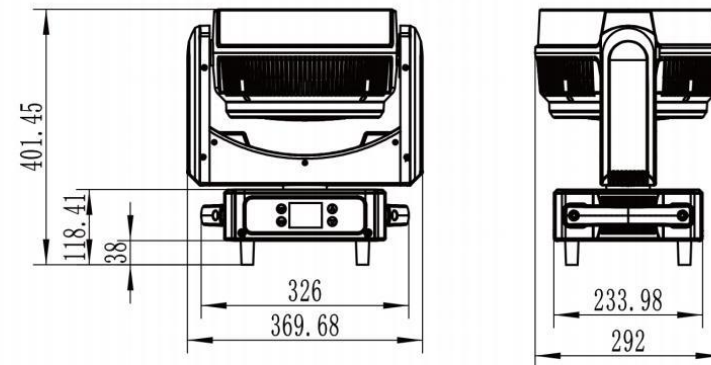
### Photometrics Diagram



### Renderings



### Size mm(in)



### Multi-angle product diagram

