

7PCSx40W LED B-Eye Moving Head

B-Eye Mini

Light source

7 x 40W 4 in 1 RGBW LEDs
LED life expectancy: 20,000 hours

Optical system

Advanced optical system to ensure clear and large-range beam & wash effect
High - efficiency zoom optical system, ratio 1:8
Beam angle: 4°-55°

Control and Program

4 Key Buttons
Display: Color Display
Protocols: DMX512, Sound Active, Automatic, RDM
DMX Protocol modes: 2
Control channels: 16, 44
Upgrade the firmware via DMX/USB link
Pan/Tilt Resolution: 16 bit
Dimmer: 16 bit

PAN & TILT

Pan movement: 540°
Tilt movement: 220°
Automatic Pan/Tilt position correction

Effects section

3 operation modes: wash, beam, FX (Kaleido effects) Bi-directional Rotating Front Lens Digital Wash-Beam Framing effect Beam edge softening control (in wash mode) Pixel Patterning Macros with enhanced control 0-100% linear electronic dimmer Adjustable speed stop/strobe effect, with instantaneous blackout Dedicated channel for color temperature setting White CT Emulation 2500-8000K
Slow strobe: 1 flash/sec; Fast strobe: 25 flash/sec

Electrical and Connectors

Power supply with electronic auto-ranging
Input voltage range: 100-240V ~ 50/60Hz
Power consumption: 280 W
Power In/Out: Power Connector in/out
Data in/out: 3-pin or 5-pin XLR

Fixture Specification

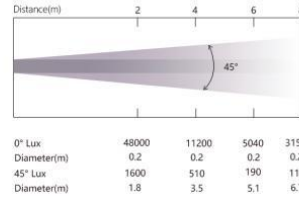
Master Box size: 315x235x420mm
Gross Weight: 6.6kg
Flycase 4 in 1: 680x450x590mm
Gross Weight: 43kg

Included Items

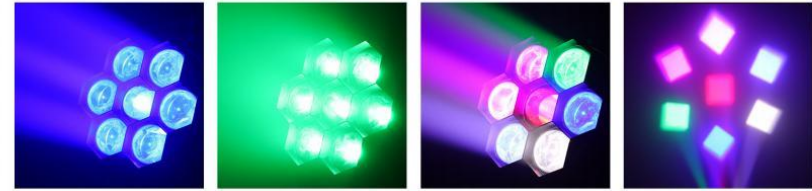
Digital User Manual
Power Cable
1 x omega brackets (optional with 1 x foldable fixed clamps)



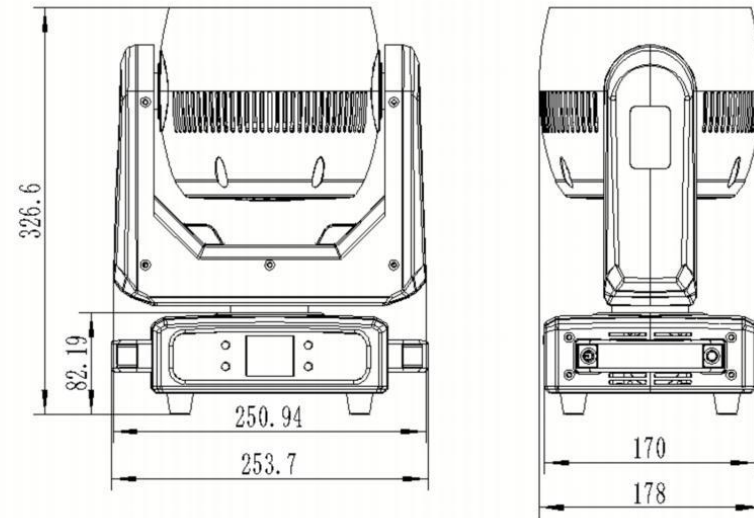
Photometrics Diagram



Renderings



Size mm(in)



Multi-angle product diagram

