

19PCSx25W LED ZOOM MOVING HEAD

KM-320Z

Features

Light source: 19x25W RGBW LED With powerful beam and wash effects
Individual control of each LED rings Outstanding color macro effect
Variable CTO: 2500K - 8000K
Motorized linear zoom system
Zoom range: 10°~60° Outstanding strobe effect with variable speed
0~100% smooth dimming Fast and mute operating Flicker free
management Dust-proof and oil-proof design
Maximum connected quantity:
6 sets (120V, 60Hz)
11 sets (230V, 50Hz)

Control and Program

Protocols: DMX512, Master slave, Sound Active, RDM
DMX Protocol modes: 3
Control channels: 14,26,30
Pan/Tilt Resolution: 16 bit
Dimmer: 16 bit
Upgrade the firmware via DMX link

PAN & TILT

Pan/Tilt movement: 540° / 270°
Automatic Pan/Tilt position correction

Construction

Display: LED 2.4G color screen + 4 touch buttons selection menu
Data in/out: 3-pin and 5-pin XLR
Power In/Out: Power Connector in/out
Protection Rating: IP20
Automatic Pan/Tilt position correction

Electrical and Connectors

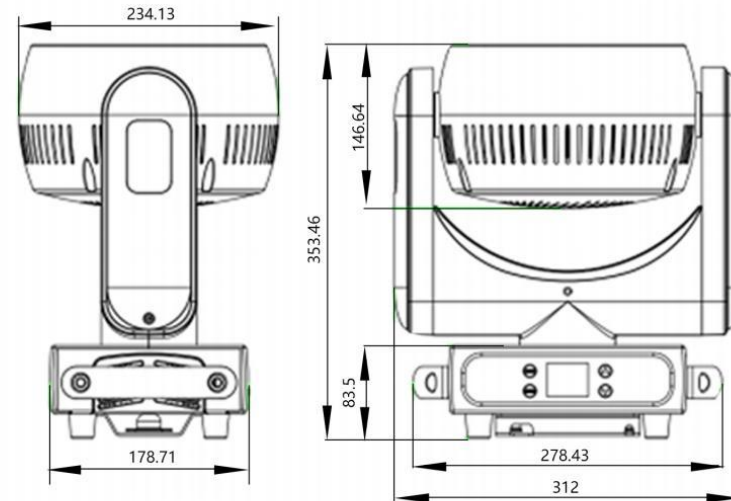
Power supply with electronic auto-ranging
Input voltage range: 100~240V~ 50/60Hz
Power consumption: 480 W
Master Box size: 365x240x505mm
Gross Weight: 11kg

Included Items

User Manual
Power Cable
2x Fast-locked clamps



Size mm(in)



Multi-angle product diagram

