

19PCSx15W LED ZOOM MOVING HEAD

KM-200Z

Features

Light source: 19x15W RGBW LED With powerful beam and wash effects Individual control of each LED rings Outstanding color macro effect
 Variable CTO: 2500K - 8000K Motorized linear zoom system
 Zoom range: 10°~60° Outstanding strobe effect with variable speed 0~100% smooth dimming Fast and mute operating
 Flicker free management Dust-proof and oil-proof design
 Maximum connected quantity:
 6 sets (120V, 60Hz)
 11 sets (230V, 50Hz)

Control and Program

Display: LED 1.77 color screen + 4 buttons selection menu
 Protocols: DMX512, Master slave, Sound Active, RDM
 DMX Protocol modes: 3
 Control channels: 14,26,30
 Pan/Tilt Resolution: 16 bit
 Dimmer: 16 bit
 Upgrade the firmware via DMX link

PAN & TILT

Pan/Tilt movement: 540° / 270°
 Automatic Pan/Tilt position correction

Construction

Display: LED 1.77 color screen + 4 touch buttons selection menu
 Data in/out: 3-pin and 5-pin XLR
 Power In/Out: Power Connector in/out
 Protection Rating: IP20
 Automatic Pan/Tilt position correction

Electrical and Connectors

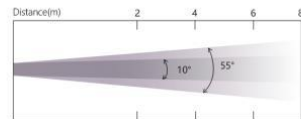
Power supply with electronic auto-ranging
 Input voltage range: 100~240V~ 50/60Hz
 Power consumption: 300 W
 Master Box size: 360x285x475mm
 Gross Weight: 8.7kg
 Flycase 2 in 1: 760x320x450mm
 Gross weight: 38kg
 Flycase 4 in 1: 710x590x855mm
 Gross Weight: 68kg

Included Items

User Manual
 Power Cable
 1x Fast-locked clamps



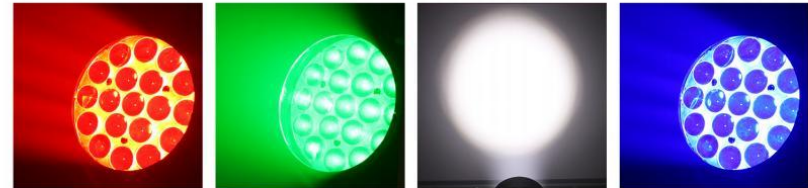
Photometrics Diagram



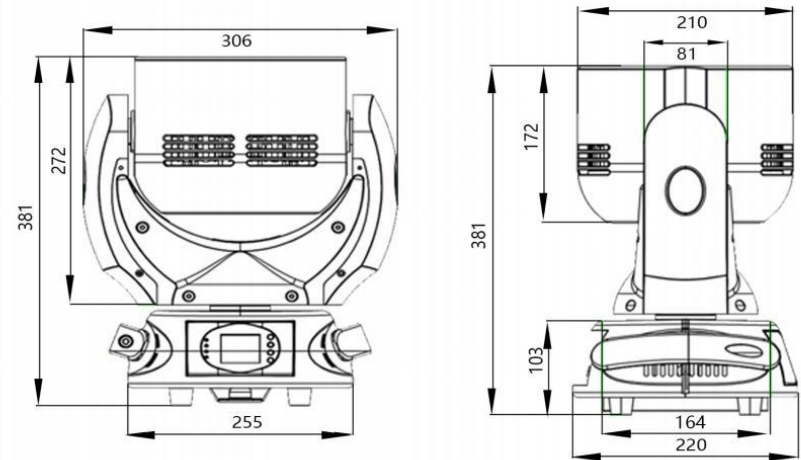
10° Lux	20500	8400	3820	2440
Diameter(m)	0.53	0.88	1.2	1.6
55° Lux	8200	4500	1400	620
Diameter(m)	2.2	4.3	6.4	8.5



Renderings



Size mm(in)



Multi-angle product diagram

