

# 37PCSx25W LED ZOOM MOVING HEAD

## KM-600Z

### Features

Light source: 37x25W RGBW LED  
LED life expectancy: 20000 hours  
With powerful beam and wash effects  
Individual control of each LED rings  
Outstanding color macro effect  
Variable CTO: 2500K - 8000K Electronic linear zoom system  
Zoom range: 10°~60°  
Total lumen output: 14,067 lm  
Outstanding strobe effect with variable speed  
0~100% smooth dimming  
Maximum connected quantity:  
3 sets (120V, 60Hz)  
5 sets (230V, 50Hz)

### Control and Program

Protocols: DMX512, Master slave, Sound Active, RDM  
DMX Protocol modes: 3  
Control channels: 15,31,35CH  
Pan/Tilt Resolution: 16 bit  
Dimmer: 16 bit  
Upgrade the firmware via DMX link

### PAN & TILT

Pan/Tilt movement: 540° / 270°  
Automatic Pan/Tilt position correction

### Construction

Display: LED 2.4G color screen + 4 touch buttons selection menu  
Data in/out: 3-pin and 5-pin XLR  
Power In/Out: Power Connector in/out  
Protection Rating: IP20  
Automatic Pan/Tilt position correction

### Electrical and Connectors

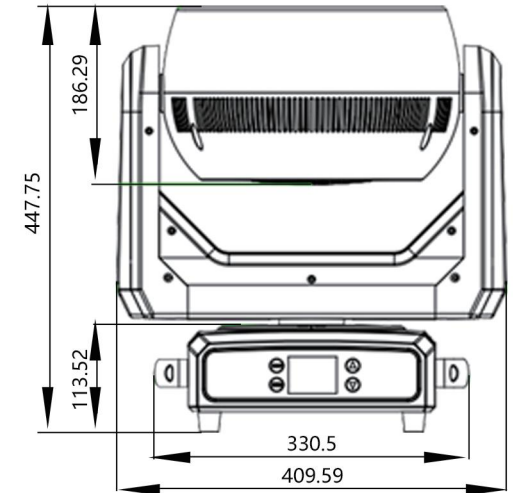
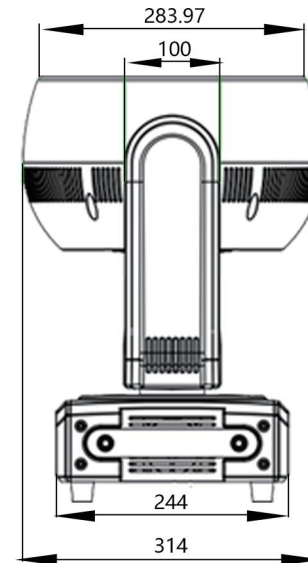
Power supply with electronic auto-ranging  
Input voltage range: 100-240V~ 50/60Hz  
Power consumption: 850 W  
Box Dimensions: 490x350x620mm  
F/C Dimension: 985x455x740mm  
Weight: 19KG  
F/C weight: 65KG (Dual loader Case)

### Included Items

User Manual  
Power Cable  
2x Fast-locked clamps



### Size mm(in)



### Local Details

