

7PCSx40W LED ZOOM MOVING HEAD

KM-400Z

Features

7 x 40W 4 in 1 RGBW LEDs
LED life expectancy: 20,000 hours

Optical system

Advanced optical system to ensure clear and large-range beam & wash effect
High - efficiency zoom optical system, ratio 1:8
Beam angle: 4°-55°

Control and Program

4-touch buttons
Display: Color Display
Protocols: DMX512, Sound Active, Automatic, RDM
DMX Protocol modes: 2
Control channels: 11/17CH
Upgrade the firmware via DMX/USB link
Pan/Tilt Resolution: 16 bit
Dimmer: 16 bit

PAN & TILT

Pan movement: 540°
Tilt movement: 220°
Automatic Pan/Tilt position correction

Effects section

3 operation modes: wash, beam effects
Digital Wash-Beam Framing effect
Beam edge softening control (in wash mode)
0-100% linear electronic dimmer
Adjustable speed stop/strobe effect, with instantaneous blackout
Dedicated channel for color temperature setting
White CT Emulation 2500-8000K
Slow strobe: 1 flash/sec; Fast strobe: 25 flash/sec

Electrical and Connectors

Power supply with electronic auto-ranging
Input voltage range: 100-240V~ 50/60Hz
Power consumption: 280 W
Power In/Out: Power Connector in/out
Data in/out: 3-pin or 5-pin XLR

Electrical and Connectors

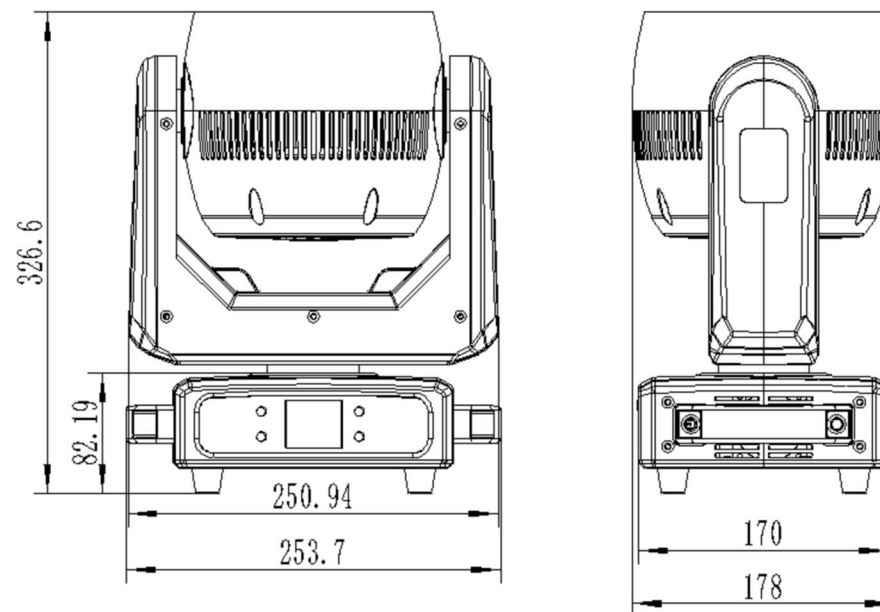
Fixture Dimensions: 253x178x326mm
Weight: 9KG

Included Items

Digital User Manual
Power Cable
1 x omega brackets (optional with 1 x foldable fixed clamps)



Size mm(in)



Local Details

