

# 7PCSx40W LED B-Eye Moving Head

## B-Eye Mini

### Light source

7 x 40W 4 in 1 RGBW LEDs  
LED life expectancy: 20,000 hours

### Optical system

Advanced optical system to ensure clear and large-range beam & wash effect  
High - efficiency zoom optical system, ratio 1:8  
Beam angle: 4°-55°

### Control and Program

4 Key Buttons  
Display: Color Display  
Protocols: DMX512, Sound Active, Automatic, RDM  
DMX Protocol modes: 3  
Control channels: 16/44  
Upgrade the firmware via DMX/USB link  
Pan/Tilt Resolution: 16 bit  
Dimmer: 16 bit

### PAN & TILT

Pan movement: 540°  
Tilt movement: 220°  
Automatic Pan/Tilt position correction

### Effects section

3 operation modes: wash, beam, FX (Kaleido effects) Bi-directional Rotating Front Lens Digital Wash-Beam Framing effect Beam edge softening control (in wash mode) Pixel Patterning Macros with enhanced control 0-100% linear electronic dimmer Adjustable speed stop/strobe effect, with instantaneous blackout Dedicated channel for color temperature setting White CT Emulation 2500-8000K  
Slow strobe: 1 flash/sec; Fast strobe: 25 flash/sec

### Electrical and Connectors

Power supply with electronic auto-ranging  
Input voltage range: 100-240V~ 50/60Hz  
Power consumption: 280 W  
Power In/Out: Power Connector in/out  
Data in/out: 3-pin or 5-pin XLR

### Fixture Specification

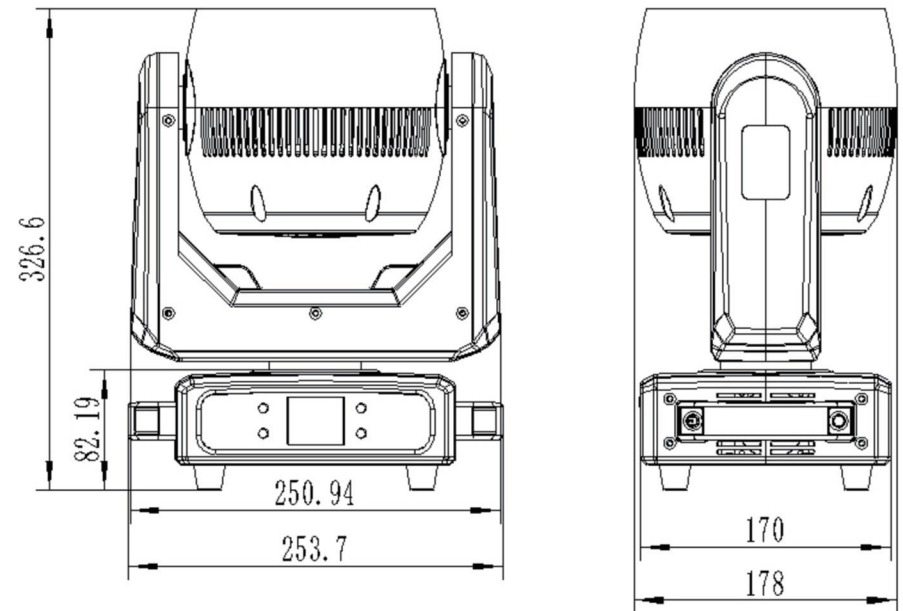
Fixture Dimensions:  
Weight: 9KG

### Included Items

Digital User Manual  
Power Cable  
1 x omega brackets (optional with 1 x foldable fixed clamps)



## Size mm(in)



## Local Details

