

19PCSx40W LED B-Eye Moving Head

B-Eye K15

Light source

19 x 40W 4 in 1 RGBW LEDs
LED life expectancy: 50,000 hours
Color Temperature: 6000K

Optical system

Advanced optical system to ensure clear and large-range beam & wash effect
High - efficiency zoom optical system, ratio 1:8
Beam angle: 4°-50°

Control and Program

4-touch buttons
Display: Color Display
Protocols: DMX512, Sound Active, Automatic, RDM
DMX Protocol modes: 3
Control channels: 36/111/148
Upgrade the firmware via DMX/USB link
Pan/Tilt Resolution: 16 bit
Dimmer: 16 bit

PAN & TILT

Pan movement: 540°
Tilt movement: 220°
Automatic Pan/Tilt position correction

Effects section

P3 operation modes: wash, beam, FX (Kaleido effects) Bi-directional
Rotating Front Lens Digital Wash-Beam Framing effect Beam edge
softening control (in wash mode) Pixel Patterning Macros with enhanced
control 0-100% linear electronic dimmer Adjustable speed stop/strobe
effect, with instantaneous blackout Dedicated channel for color
temperature setting White CT Emulation 2500-8000K
Slow strobe: 1 flash/sec; Fast strobe: 25 flash/sec

Electrical and Connectors

Power supply with electronic auto-ranging
Input voltage range: 100-240V~ 50/60Hz
Power consumption: 760 W
Power In/Out: Power Connector in/out
Data in/out: 3-pin or 5-pin XLR

Fixture Specification

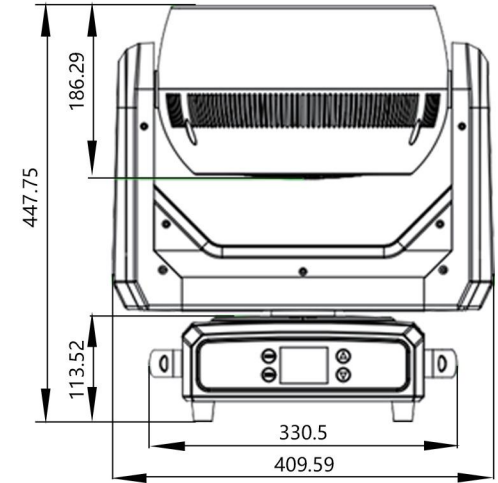
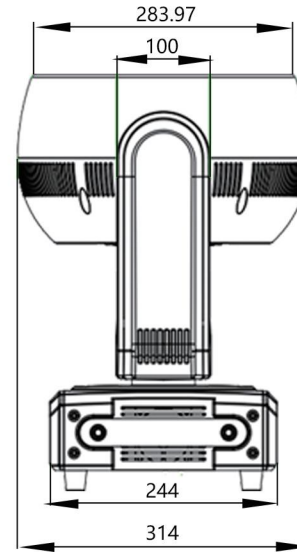
Fixture Dimensions: 490x340x620mm
Flight Case Dimensions: 985x455x740mm
Weight: 20KG

Included items

Digital User Manual
Power Cable
2 x omega brackets (optional with 2 x foldable fixed clamps)



Size mm(in)



Local Details

