

300W 3 in 1 LED Beam,Spot,Wash Moving Head With Light Ring

300BSW

Light Source

Light Source: 250W LED Engine & 36pcsx0.5W RGB SMD LEDs
 Color Temperature Output: 7,000K
 Rated Source Life: up to 20,000 hours

Optical System

Advanced optical design to ensure precise gobos and colors
 High - efficiency zoom optical system
 Beam Angle: 7°-35°
 Diameter of Front Lens: 165mm

Control and Program

4-Button touch panel
 Display: LCD display
 Protocols: DMX512, Automatic, Sound active, RDM, Art-Net
 DMX Protocol modes: 2
 Control channels: 17/21
 Firmware Upgrade: Upgrade via DMX link or USB disk

Movement

Pan movement: 540°
 Tilt movement: 260°
 Automatic Pan/Tilt position correction
 Moving-head operated with either 16-bit resolution
 Fixation: Pan/ Tilt lock

Color

Linear CTO Color Correction: 2,700K-7,000K
 1 x Color Wheel: 8 colors with 1 CTB Filter, plus open

Gobo

1 x Static Gobo Wheel: 1 static gobo wheel with 9 gobos plus open
 1 x Rotating & Interchangable Gobo Wheel: 1 rotating gobo wheel with 6 gobos with water gobos plus open
 Gobo Diameter: 23.8mm Image Diameter: 14mm
 Adjustable-speed rotating gobo in both directions

Prism

1 x Combinable Rotating and Indexable Prisms: one 4-facet prism

Other Effects

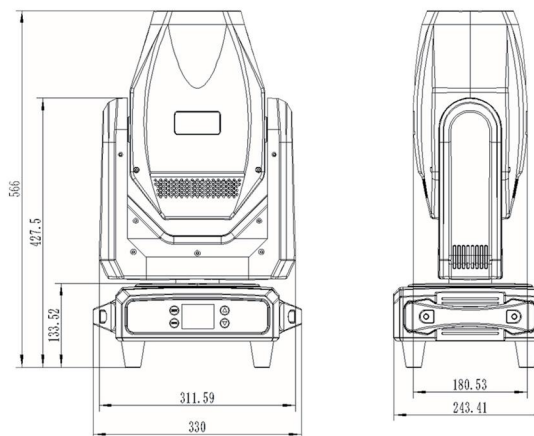
Outstanding strobe effect with variable speed
 Motorized Zoom and Focus
 4 Dimming Curves: Variable light adjustment from 0 to 100%

Electrical and Connectors

Input voltage range: 100-240V~ 50/60Hz
 Power consumption: 350 W
 Power In/Out: Power Connector in/out
 Data In/Out: 3-pin or 5-pin XLR
 Carton Dimensions: 490x340x620mm
 Weight: 20 kg (include carton, one-pack per carton)



Size mm(in)



Functional Effect

Color Wheel



Static Gobo Wheel



Rotating Gobo Wheel



4-Facet Prism



Local Details

